

Illustration - Type - E

3 601 JN9 080
 Stand } 24-10-15 Fig. /Abb. 1
 Issue }

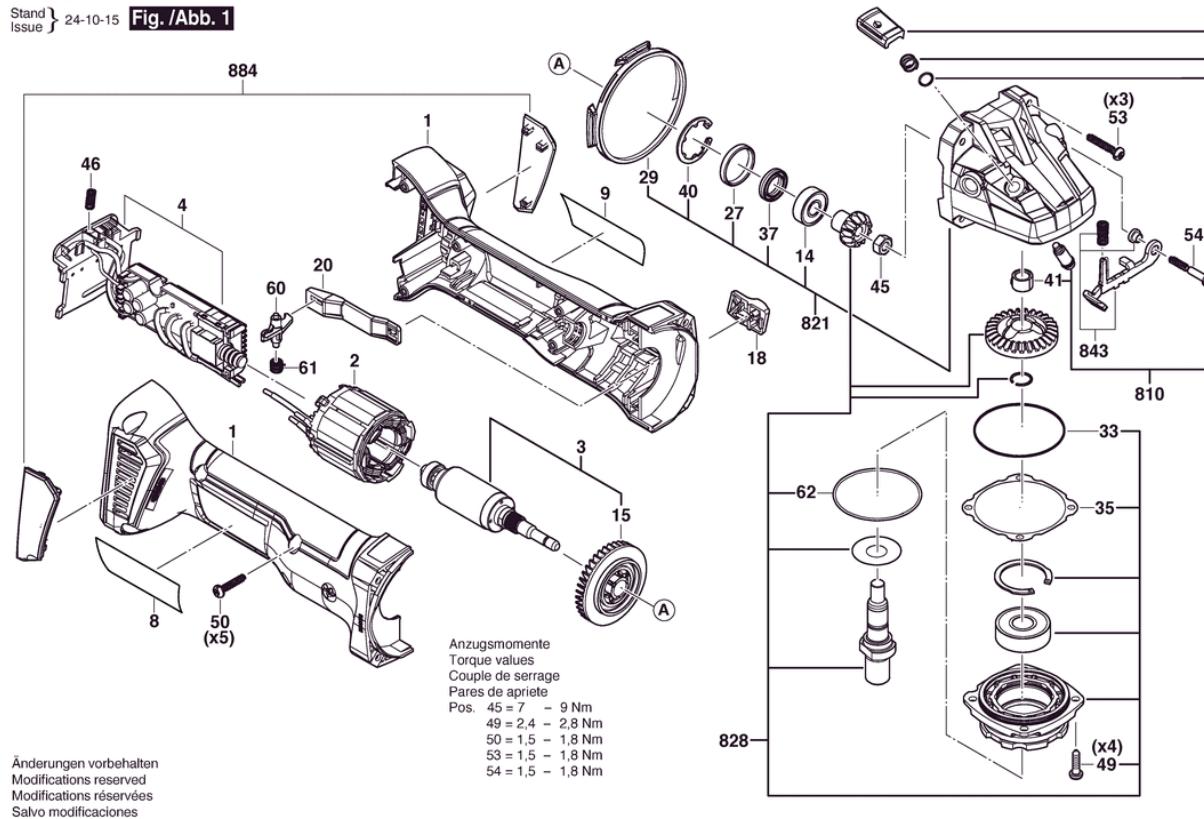
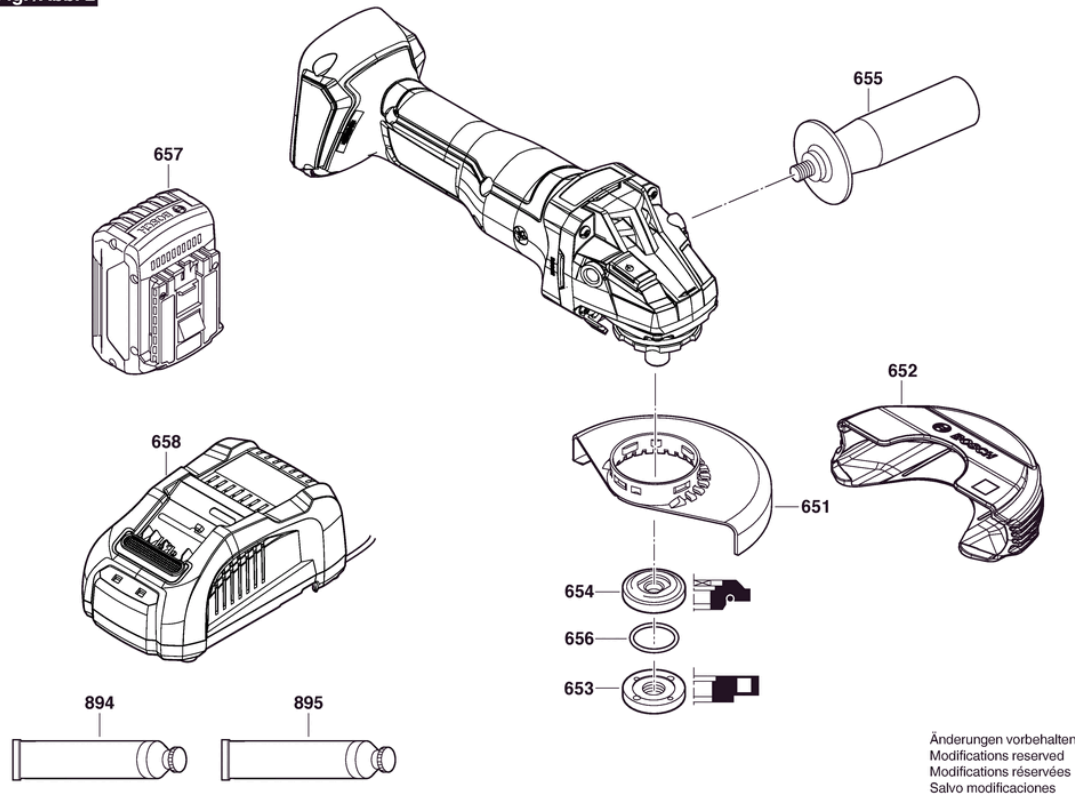


Illustration - Type - E

3 601 JN9 080
Stand } 24-10-16 Fig. /Abb. 2
Issue }



Spare parts list

Item	Part Number	Description	Illustration
1	1 619 PS1 906	Motor Housing	1
2	1 619 PS1 907	Stator	1
3	1 619 PS1 908	Rotor	1
4	1 619 PS1 909	Electronics Module	1
8	1 619 PS1 920	Nameplate	1
9	1 619 PS1 911	Manufacturer's nameplate	1
14	1 619 P00 455	Ball Bearing	1
15	1 619 PS1 912	Fan	1
18	1 600 A01 6PW	Switch Handle	1
20	1 619 PS1 913	Adjusting Slide	1
27	1 600 206 025	Rubber Ring	1
29	1 619 PS1 146	Cover Ring	1
33	1 619 P14 427	O-Ring	1
35	1 600 136 014	Shim 0,2 MM THICK	1
37	1 600 A00 P17	Holder	1
40	1 600 119 011	Retaining clip	1
41	1 600 200 029	Plain bearing	1
45	2 915 011 007	Hex Nut DIN 934-M6-8-A	1
46	1 609 280 477	Compression Spring	1
49	2 914 491 410	Thread-forming tap. Screw M4X16	1
50	2 603 490 023	Torx Oval-Head Screw 4X20	1
53	1 619 P01 066	Torx Oval-Head Screw 4X25	1
54	1 603 414 026	Torx Oval-Head Screw 4X30	1
60	1 619 P15 795	Reverse-Transfer Lever	1
61	1 619 P15 806	Torsion Spring	1
62	3 600 210 109	O-Ring 47,0X1,5 MM	1
810	1 607 000 V41	Push-Button	1
821	1 619 PS1 123	Gear Housing	1
828	1 619 PS1 914	Bearing Flange	1
843	1 607 000 742	Catch Lever	1
884	1 619 PS1 128	Filter	1
651	1 600 A00 XK8	Protective Cover 115 MM	2
652	1 600 A02 1MG	Protective Cover	2
653	1 603 345 043	Round Nut M14	2
654	2 605 703 014	Clamping Flange Ø22,3XØ42 MM	2

Spare parts list

Item	Part Number	Description	Illustration
655	1 619 P16 111	Auxiliary Handle	2
656	1 600 210 055	O-Ring 20,35X1,78 MM	2
658	2 607 225 921	Charger EU GAL 1880 CV 230/14,4-18V	2
658	2 607 226 251	Fast Charger	2
894	1 615 430 020	Grease Tube 225 ML	2
895	1 605 430 003	Grease Tube 225 ML	2